

Assembly Instructions Bulldozer Depth Gage

To Assemble

1. Take part # 1. Drill and tap to the back of the dozer blade. (You can also weld it in place.)
2. Assembly part 2,3,6,7 to unit # 1
3. Put parts 4 & 5 into the holes on the top and bottom of unit 1 to lock in unit 2.
4. Now you are ready to grade.

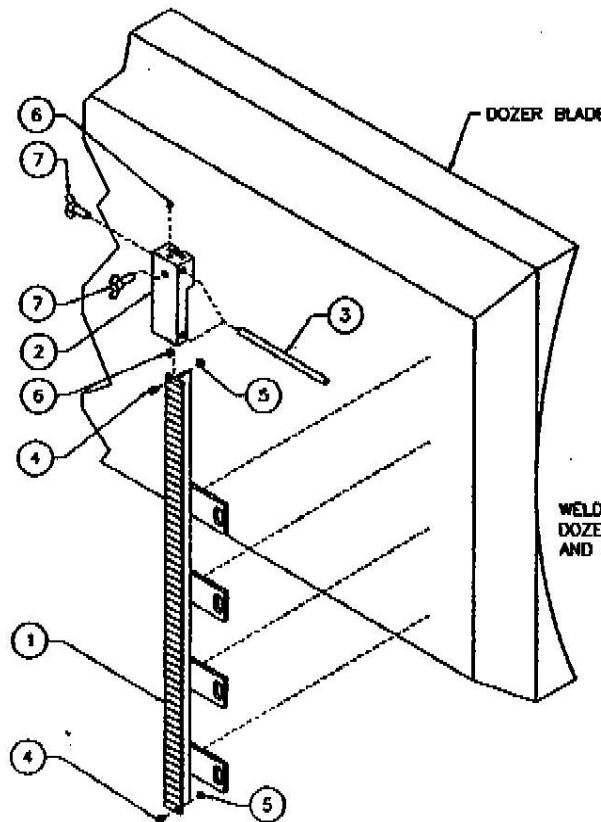
To Grade

1. Lower the dozer blade to the ground and measure from the ground up to the top of unit # 3. For example, if the grade is 12" from the top of the curb or string line to the ground, measure 12" from the ground up to the top of unit # 3.
2. Lock unit 7. When you are doing heavy grading, put unit # 2 all the way up so that it won't get damaged.
3. You can also put unit # 3 in the upper or lower part of unit # 2.



BULL DOZER DEPTH GAGE ASSEMBLY INSTRUCTIONS

PARTS LIST			
ITEM NO.	QUANTITY	PART NO.	DESCRIPTION
1	1	0201	FLAT DEPTH ARM
2	1	0203	FLAT SLIDER
3	1	0204	CURB FEELER
4	2	0205	1/4-20 X 1/4 DDC NB
5	2	0206	1/4-20 HEX NUT
6	2	0207	1/10-24 PAU, DDC POINT SS
7	1	0208	WIRE WELD



WELD TABS OF PART No.1 TO
DOZER BLADE OR TAP
AND USE BOLTS

Assembly Instructions

Fine Grading Gage

1. assemble parts 1,5,6,12, and 13
2. remove nuts on moldboard and place part 1 onto the moldboard and tighten nuts. Cut down any bolts that are too high so unit can slide up & down freely
3. take part 2,3,4,7,8,9, and assembly onto part 1, and use part 10 and 11 to lock in.

NOW YOU ARE READY

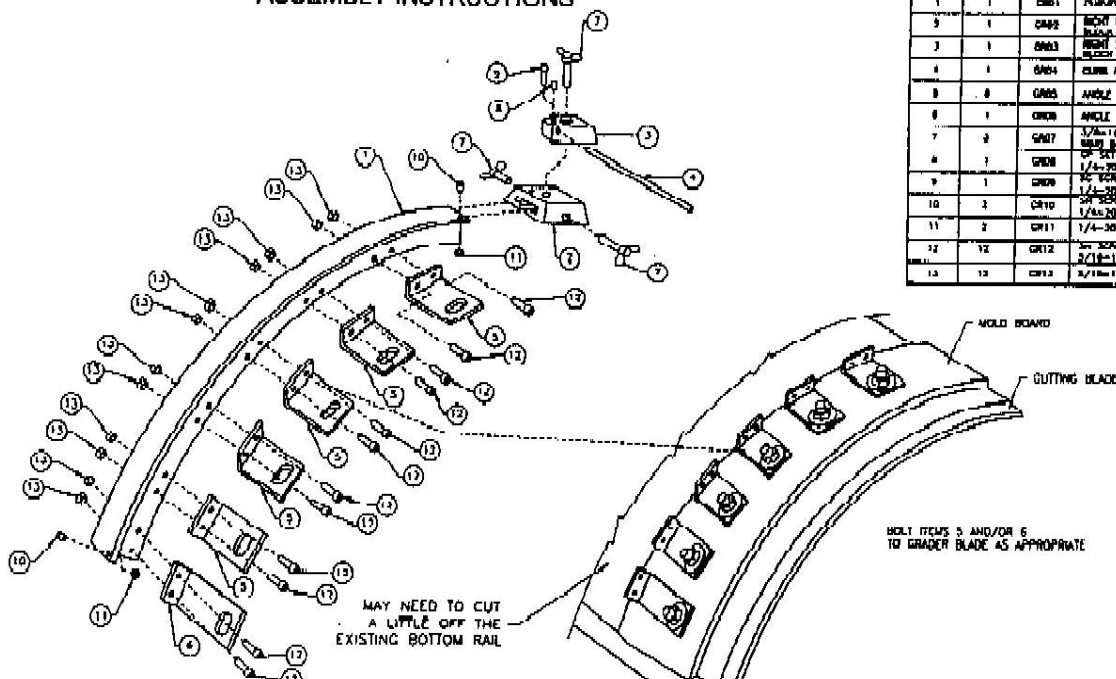
4. lower moldboard until bottom cutting edge touches the ground
5. take a ruler & measure from the ground up to the bottom of part 4. For example, if your sub-base grade is 12" from the top of the curb or string line slide the unit 2, up until you see 12" touch the top of part 4, & now you are ready to ride unit 4 on top of a curb or string line etc

USING THE UNIT AS A LOCK POINTER

6. you can lock unit 2 & 3 by screwing down part # 9 into the pre-drilled hole on the top of unit 3 so that unit 3 will not move and you can use it as a pointer as you pass a wooden stake with a finish grade mark.
7. you can also unlock unit 3 and rest unit 4 on the top of a curb or string line so that the unit 2 & 3 will move and you can follow the **TWO TRIANGLES** point to point as your grading you can grade right to a 1/4 of an inch.
8. on heavy grading you should lock unit 3 in a upright portions by turning part 3 facing up and tighten part 9, so not to **DAMAGE** unit 4
9. on part 1 there are cross lines each line is a 1/2 inch. apart this is use as a ruler once you set your grade you can mark part 1 with a white marker now you have a reference point from there you can use the cross lines as a ruler.



GRADING DEPTH GAGE ASSEMBLY INSTRUCTIONS



PARTS LIST

ITEM NO.	QUANTITY	PART NO.	DESCRIPTION
1	1	CR01	FLANGERS (PARTS 1, 2, 3)
2	1	CR02	RIGHT LARGE CURVE
3	1	CR03	RIGHT SMALL CURVE
4	1	CR04	CLIMB PULVER
5	2	CR05	ANGLE
6	1	CR06	ANGLE
7	2	CR07	3/2" x 1/8" V-TWO HOLE NUT
8	1	CR08	1/4" x 3/8" x 1.5" HOLE OF SET SCREW
9	1	CR09	1/4" x 3/8" x 1.5" HOLE OF SET SCREW
10	2	CR10	2" x 3/8" HOLE NUT
11	2	CR11	1/4" x 3/8" HOLE NUT
12	2	CR12	2" x 3/8" HOLE NUT
13	12	CR13	3/4" x 1/8" HOLE NUT